

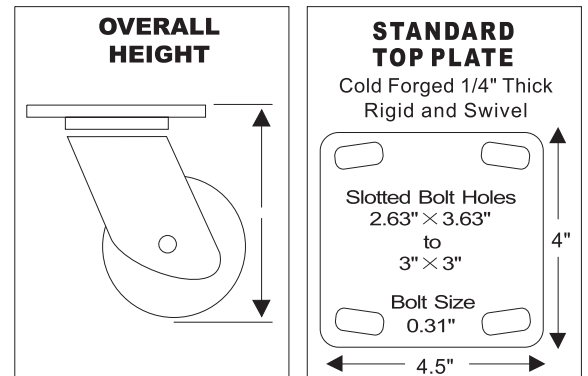
PNEUMATIC CASTERS DONUT BEARING

APPLICATIONS:

Easy rolling, shock absorbing and quiet operation; Excellent for medium duty platform trucks, food service equipment, large stock carts, etc.

SPECIFICATIONS:

- SWIVEL:** Double row bearing swivel raceway construction for added strength
- FORK:** Legs are formed and welded to base to increase strength
- LUBRICATION:** Zerk fitting in swivel for lubrication
- AXLE:** 1/2" Diameter bolt \times 5" length and lock nut
- FINISH:** All parts except wheel are zinc finished for corrosion resistance



Part #	Description	Packing (PC)	Overall Height (inches)	Weight (LB)	Capacity (LB)
SPN8 \times 2.5	8" \times 2 1/2" Pneumatic Swivel Caster	10	11	7 1/2	310
RPN8 \times 2.5	8" \times 2 1/2" Pneumatic Rigid Caster	10	11	6 1/4	310
SPN10 \times 3.5	10" \times 3 1/2" Pneumatic Swivel Caster	8	13	8 3/4	470
RPN10 \times 3.5	10" \times 3 1/2" Pneumatic Rigid Caster	8	13	7 1/2	470

