

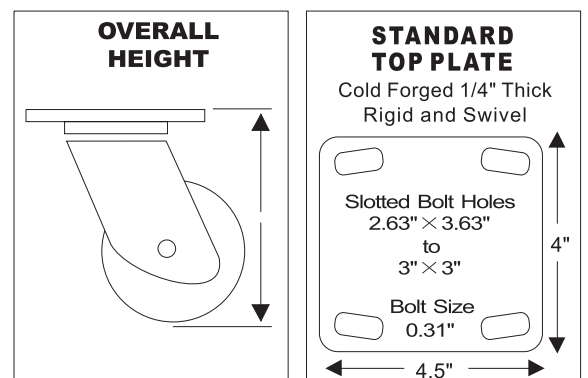
HEAVY DUTY POLYURETHANE STEEL CASTER ROLLER BEARING

APPLICATIONS:

Polyurethane tread, 90+ shore (A) durometer, chemically bonded to heavy cast iron core, non-marking floor protection, resistant to oil, grease, water and most solvents, available in a variety of colors.

SPECIFICATIONS:

- SWIVEL:** Two rows of ball bearings in hardened raceways.
- FORK:** 1/4" formed steel plate, double welded.
- KING PIN:** 3/4" heat treated bolt and nut.
- LUBRICATION:** Zerk in swivel raceway, wheel hub or lube axle.
- AXLE:** 1/2" Diameter bolt and nut.
- FINISH:** Zinc Plated.



Part #	Description	Packing (PC)	Overall Height (inches)	Weight (LB)	Capacity (LB)
S6×2PU	6"×2" Polyurethane Steel Swivel	250	7 1/2	8 1/2	1,200
R6×2PU	6"×2" Polyurethane Steel Rigid	250	7 1/2	7 1/2	1,200
S8×2PU	8"×2" Polyurethane Steel Swivel	200	9 1/2	10 1/2	1,300
R8×2PU	8"×2" Polyurethane Steel Rigid	200	9 1/2	9 1/2	1,300
S5×2PU	5"×2" Polyurethane Steel Swivel	300	6 1/2	7 1/4	1,000
R5×2PU	5"×2" Polyurethane Steel Rigid	300	6 1/2	6 1/2	1,000
S4×2PU	4"×2" Polyurethane Steel Swivel	350	5 1/2	6	900
R4×2PU	4"×2" Polyurethane Steel Rigid	350	5 1/2	5	900