

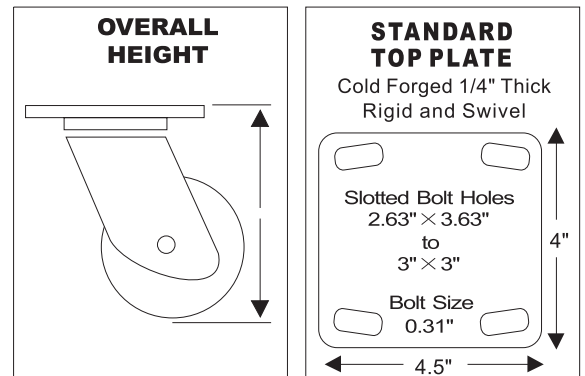
HEAVY DUTY STEEL CASTER ROLLER BEARING

APPLICATIONS:

Excellent for high capacity, sustains sharp impacts while under full load, long wearing.

SPECIFICATIONS:

SWIVEL:	Two rows of ball bearings in hardened raceways.
FORK:	1/4" formed steel plate, double welded.
KING PIN:	3/4" heat treated bolt and nut.
LUBRICATION:	Zerk in swivel raceway, wheel hub or lube axle.
AXLE:	1/2" diameter bolt & nut
FINISH:	Zinc Plated.



Part #	Description	Packing (PC)	Overall Height (inches)	Weight (LB)	Capacity (LB)
S6×2ST	6"×2" Steel Swivel	250	7 1/2	9	1,200
R6×2ST	6"×2" Steel Rigid	250	7 1/2	7 1/2	1,200
S8×2ST	8"×2" Steel Swivel	200	9 1/2	10 3/4	1,300
R8×2ST	8"×2" Steel Rigid	200	9 1/2	10	1,300
S5×2ST	5"×2" Steel Swivel	300	6 1/2	7 1/4	1,000
R5×2ST	5"×2" Steel Rigid	300	6 1/2	6 1/2	1,000
S4×2ST	4"×2" Steel Swivel	350	5 1/2	6	900
R4×2ST	4"×2" Steel Rigid	350	5 1/2	5	900

