

STEEL RODS FOR PLASTIC LIDS

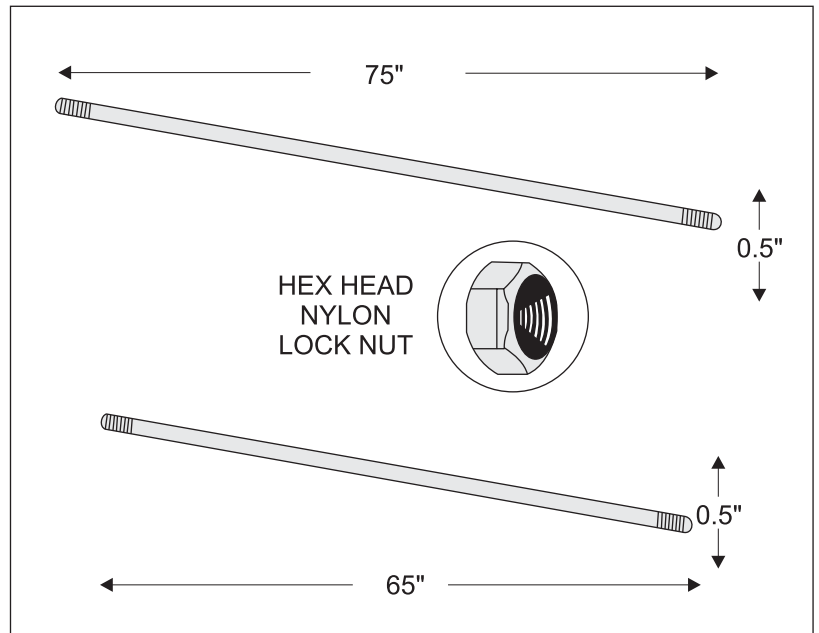
Available in various sizes with threaded ends or non - threaded with nylon lock nuts or cotter pin assembly.

Part # LR65X.5

65" × 1/2" steel rod, 1" threaded ends with 1/2" hex head nylon lock nuts. 600 pieces per crate

Part # LR75X.5

75" × 1/2" steel rod, 1" threaded ends with 1/2" hex head nylon lock nuts. 600 pieces per crate



LID EARS

Dual Hole "Lid Ear"

Part#LE2H

1 3/4" width, 3 3/4" height. Thickness of material equals 3/16". Steel holes are 9/16" in diameter.

