

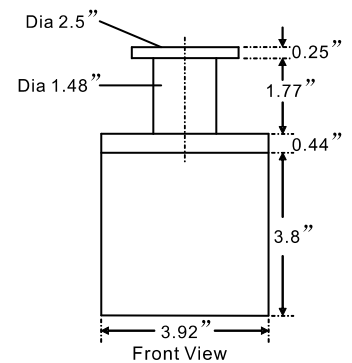
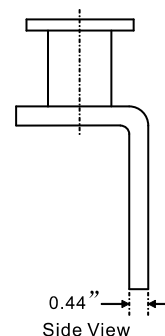
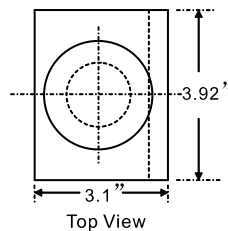
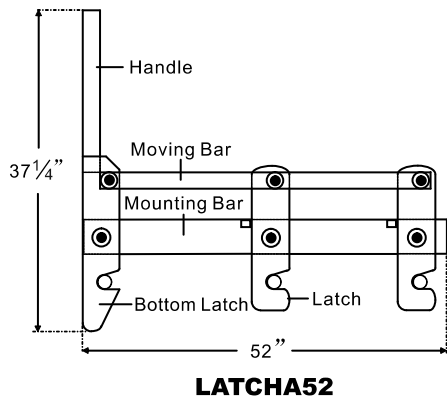
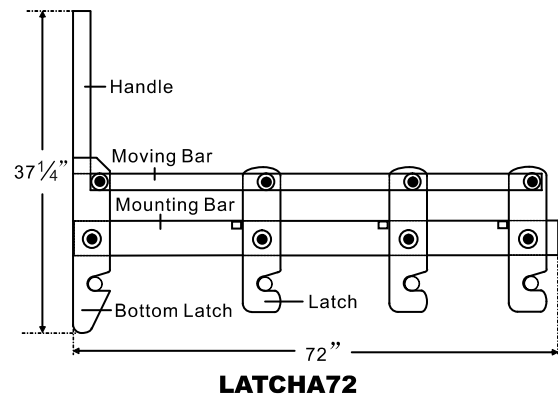
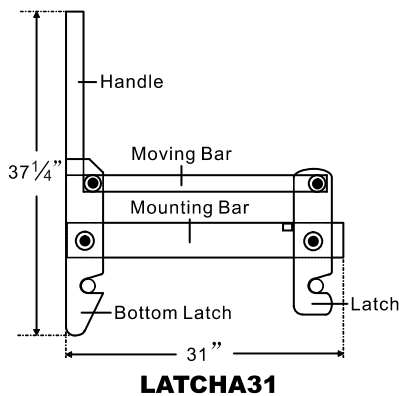
# ROLL-OFF CONTAINER DOOR LATCH

## APPLICATIONS:

All steel latches with designed and assembled door locking mechanisms for 10- to 40- yard roll-off containers.

## SPECIFICATIONS:

Parts	Width	Thickness	Length		
			LATCHA31	LATCHA52	LATCHA72
Handle	2"	1/2"	17 1/4"	17 1/4"	17 1/4"
Moving Bar	2"	1/2"	28 1/2"	49 1/8"	69 1/8"
Mounting Bar	4"	1/2"	30 3/4"	51 3/8"	71"
Bottom Latch	4"	1/2"	20 1/8"	20 1/8"	20"
Latch	4"	1/2"	16 3/4"	16 3/4"	16 3/4"



Part #	Descriptions	Over-All Height	Weight
LATCHA31	Single Door Latch for 10- Yard Roll-Off Containers	31"	42 lbs
LATCHA52	Double Door Latch for 20-Yard Roll-Off Containers	52"	76 lbs
LATCHA72	Triple Door Latch for 30- or 40-Yard Roll-Off Containers.	72"	88 lbs
LUG100	Lug for Latch	N/A	4 lbs