

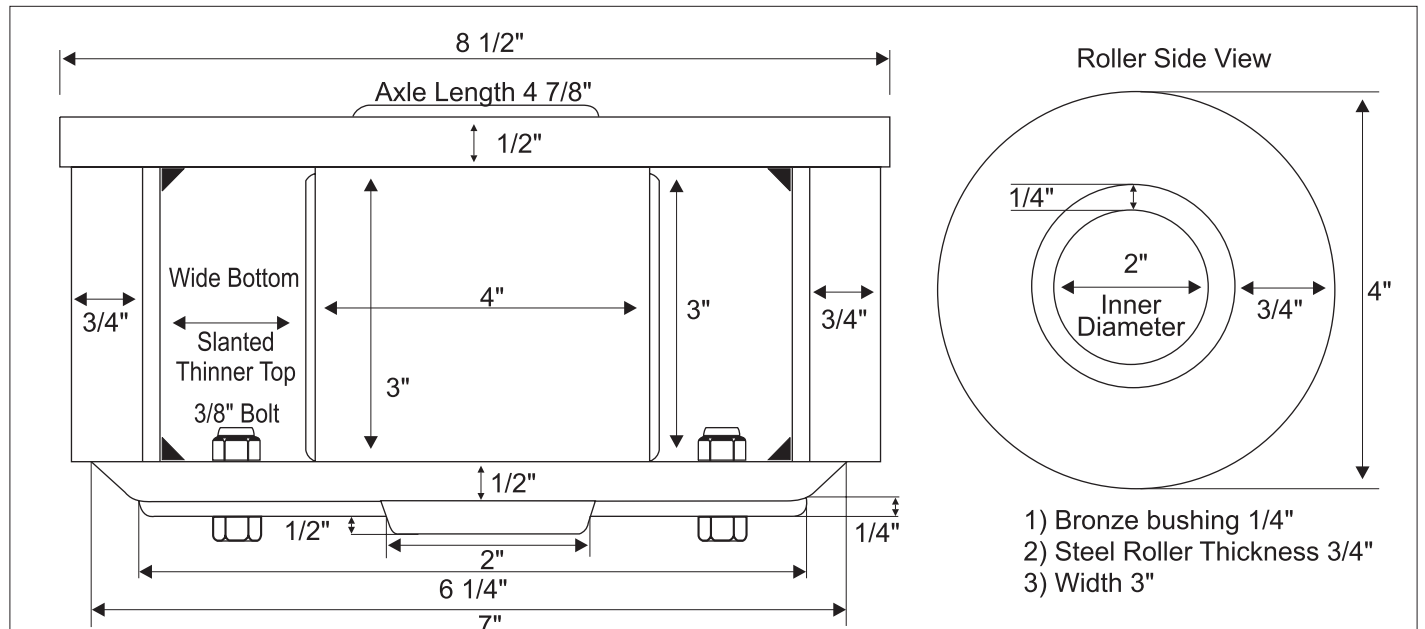
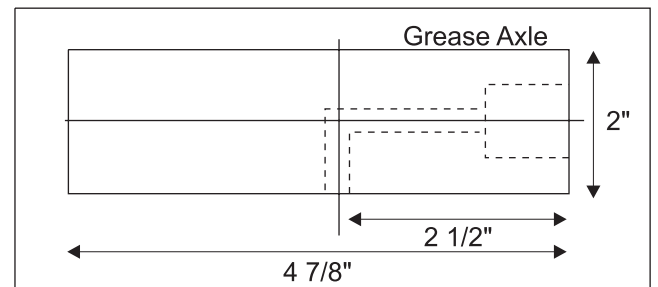
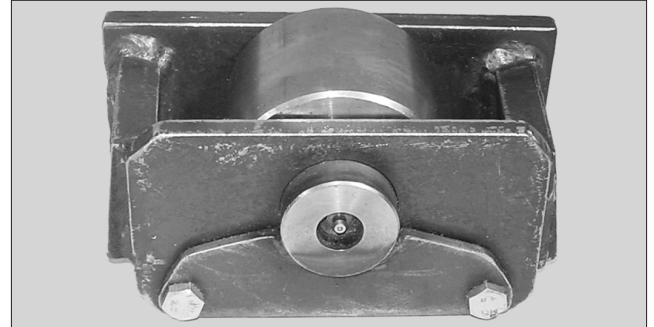
ROLLOFF TRUCK SIDE ROLLER ASSEMBLED

APPLICATIONS:

Convert old-weld style side rollers to new, money-saving, bolt-on side rollers. Replacement can be adapted to fit nearly any roll - off hoist. Also available, roller only and grease axle only.

SPECIFICATIONS:

Roller is made of carbon steel. Bushing is made of bronze. Quality machined parts.



Part #	Description	Packing (PC)	Overall Height (inches)	Weight (LB)	Capacity (LB)
SRA3×4	3"×4" Side Roller with Bracket and Axle	80	4"	24	40,000
SR3×4	3"×4" Side Roller	150		8	40,000
SR2×4.88	2"×4 7/8" Grease Axle	400		4 1/2	