

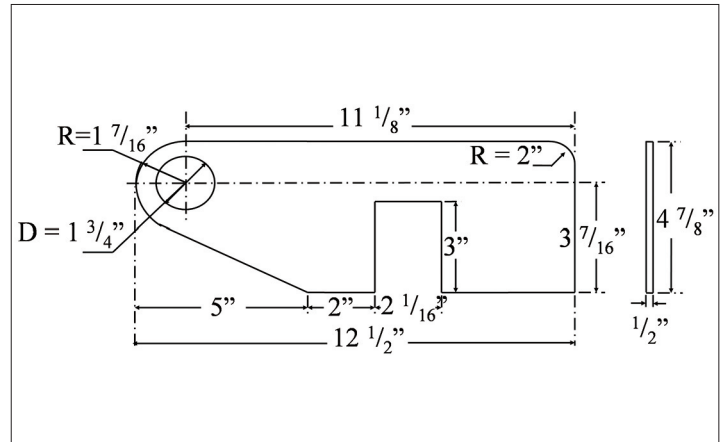
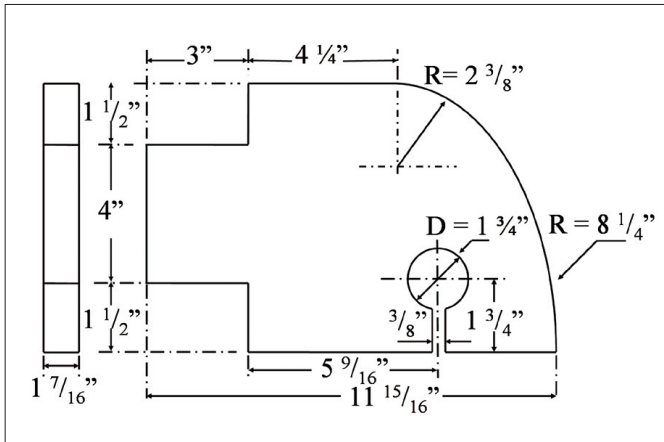
# **BULL NOSE & ROLLER BRACKET**

## **APPLICATIONS:**

3-piece set, used at the rail end of roll-off container to hold nose roller in position.

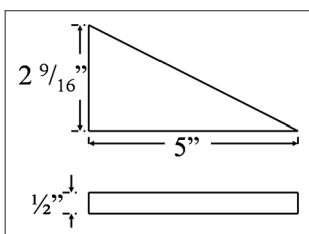
## **SPECIFICATIONS:**

Unassembled and shaped to glide on or off truck, one heavy steel piece (1 7/16 inch thick), one lighter steel bracket (1/2 inch thick) and one steel triangle corner support piece (1/2 inch thick) form bracket holding nose roller in position.



Item	Bull Nose
No.	BN-100
Weight	25 lbs

Item	Roller Bracket
No.	BG-100
Weight	6 lbs



Item	Bracket Support
No.	BGS-100
Weight	1lb

