

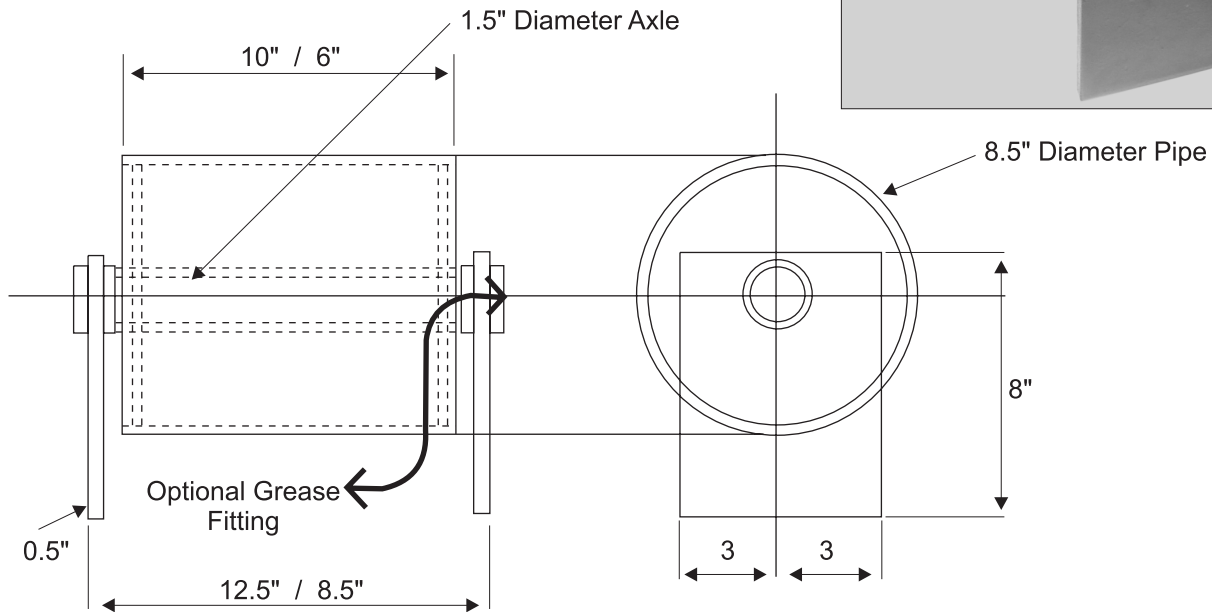
# GROUND ROLLER ASSEMBLED

## APPLICATIONS:

Saves on cost of labor for assembly. Also enables maneuverability of the container on the ground.

## SPECIFICATIONS:

Heavy duty seamless steel pipe with welded hub and sleeve in the center and end plates assembled on 1.5" steel axle with and without zerk fitting. Pipe wall and hub thickness is 1/4". End plate size: 6"×8"×1/2".



Part #	Diameter	Descriptions	Packing (PC)	Weight
GGAA8×6	8 1/2"	6" With Grease Fitting	34	34LB
GGAA8×10	8 1/2"	10" With Grease Fitting	36	46LB

