

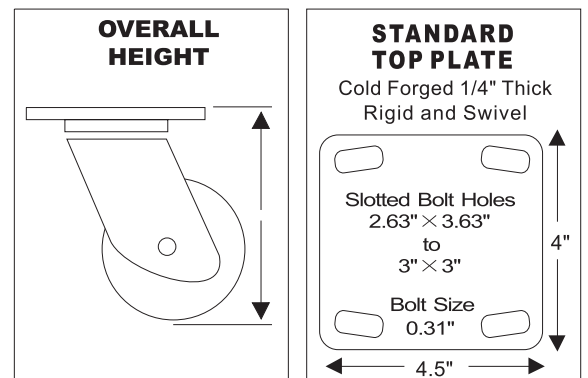
## HEAVY DUTY AMERICAN PHENOLIC CASTER ROLLER BEARING

### APPLICATIONS:

Made and assembled in America. Phenolic resin combined with macerated canvas, high impact resistant, excellent floor protection, non-marking, resistant to water, oil and grease, -45 to 250 F temperature range.

### SPECIFICATIONS:

SWIVEL:	Two rows of ball bearings in hardened raceways.
FORK:	1/4" formed steel plate, double welded.
KING PIN:	3/4" heat treated bolt and nut.
LUBRICATION:	Zerk in swivel raceway, wheel hub or lube axle.
AXLE:	1/2" diameter bolt & nut
FINISH:	Zinc Plated.



Part #	Description	Packing (PC)	Overall Height (inches)	Weight (LB)	Capacity (LB)
S6 × 2APH	6" × 2" Phenolic Swivel	330	7 1/2	6	1,200
R6 × 2APH	6" × 2" Phenolic Rigid	330	7 1/2	5	1,200
S8 × 2APH	8" × 2" Phenolic Swivel	250	9 1/2	7 1/2	1,300
R8 × 2APH	8" × 2" Phenolic Rigid	250	9 1/2	6 1/2	1,300
S5 × 2APH	5" × 2" Phenolic Swivel	350	6 1/2	5 1/2	900
R5 × 2APH	5" × 2" Phenolic Rigid	350	6 1/2	5	900
S4 × 2APH	4" × 2" Phenolic Swivel	400	4 1/2	4 1/2	800
R4 × 2APH	4" × 2" Phenolic Rigid	400	5 1/2	4	800

