

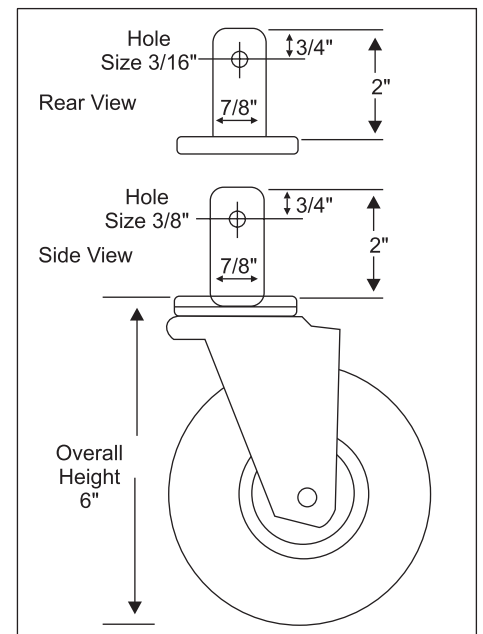
LIGHT/MEDIUM DUTY STEM CASTER

APPLICATIONS:

Light/Medium Duty Casters are used for slightly heavier duty applications, such as processing carts, platter carts, torte carts, stocking and marking carts, linen carts, heavier food service equipment and order picking trucks. It is recommended for manual operation, on smooth surfaces.

SPECIFICATIONS:

SWIVEL:	Two rows of ball bearings in hardened raceways.
FORK:	1/8" formed steel plate.
AXLE:	3/8" diameter bolt & nut.
WHEELS:	Hard Rubber, Steel, Polyurethane on Steel, Polyurethane on Polypropylene, Polyolefin.
FINISH:	Chrome or Zinc Plated.



Part #	Description	Packing (PC)	Overall Height (inches)	Weight (LB)	Capacity (LB)
SST5×1.25	5"×1 1/4" Stem Caster Rubber Swivel	500	6"	2 3/4	300
SST4×1.25	4"×1 1/4" Stem Caster Rubber Swivel	800	5"	2 1/4	200
SST5×1.25PO	5"×1 1/4" Stem Caster Polyolefin Swivel	500	5"	2 1/2	350
SST4×1.25PO	4"×1 1/4" Stem Caster Polyolefin Swivel	800	6"	2	250
SST5×1.25PP	5"×1 1/4" Polyurethane on Polypropylene Swivel	500	5"	2 1/2	300
SST4×1.25PP	4"×1 1/4" Polyurethane on Polypropylene Swivel	800	6"	2	200

