

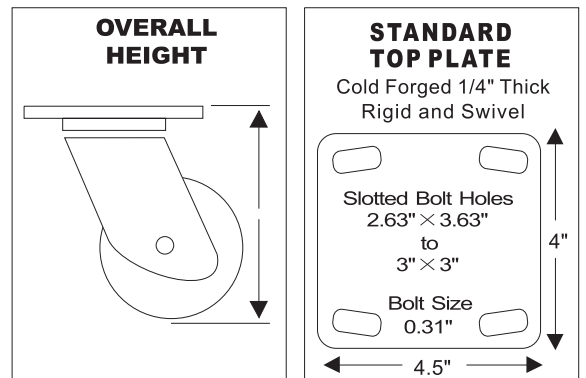
HEAVY DUTY MOLD-ON RUBBER STEEL CASTER ROLLER BEARING

APPLICATIONS:

Cushion rubber tread vulcanized to strong cast iron hub with zerk lubrication, excellent floor and load protection, easy rolling, and shock absorbing quiet operation, 70 - 80 shore (A) durometer.

SPECIFICATIONS:

- SWIVEL:** Two rows of ball bearings in hardened raceways.
- FORK:** 1/4" formed steel plate, double welded.
- KING PIN:** 3/4" heat treated bolt and nut.
- LUBRICATION:** Zerk in swivel raceway, wheel hub or lube axle.
- AXLE:** 1/2" diameter bolt & nut
- FINISH:** Zinc Plated.



Part #	Description	Packing (PC)	Overall Height (inches)	Weight (LB)	Capacity (LB)
S6×2	6"×2" Mold-on Rubber Steel Swivel	250	7 1/2	7 1/2	480
R6×2	6"×2" Mold-on Rubber Steel Rigid	250	7 1/2	6 1/2	480
S8×2	8"×2" Mold-on Rubber Steel Swivel	200	9 1/2	10	580
R8×2	8"×2" Mold-on Rubber Steel Rigid	200	9 1/2	9	580
S5×2	5"×2" Mold-on Rubber Steel Swivel	300	6 1/2	7	460
R5×2	5"×2" Mold-on Rubber Steel Rigid	300	6 1/2	6 1/2	460
S4×2	4"×2" Mold-on Rubber Steel Swivel	350	6 1/2	6	450
R4×2	4"×2" Mold-on Rubber Steel Rigid	350	5 1/2	5	450

